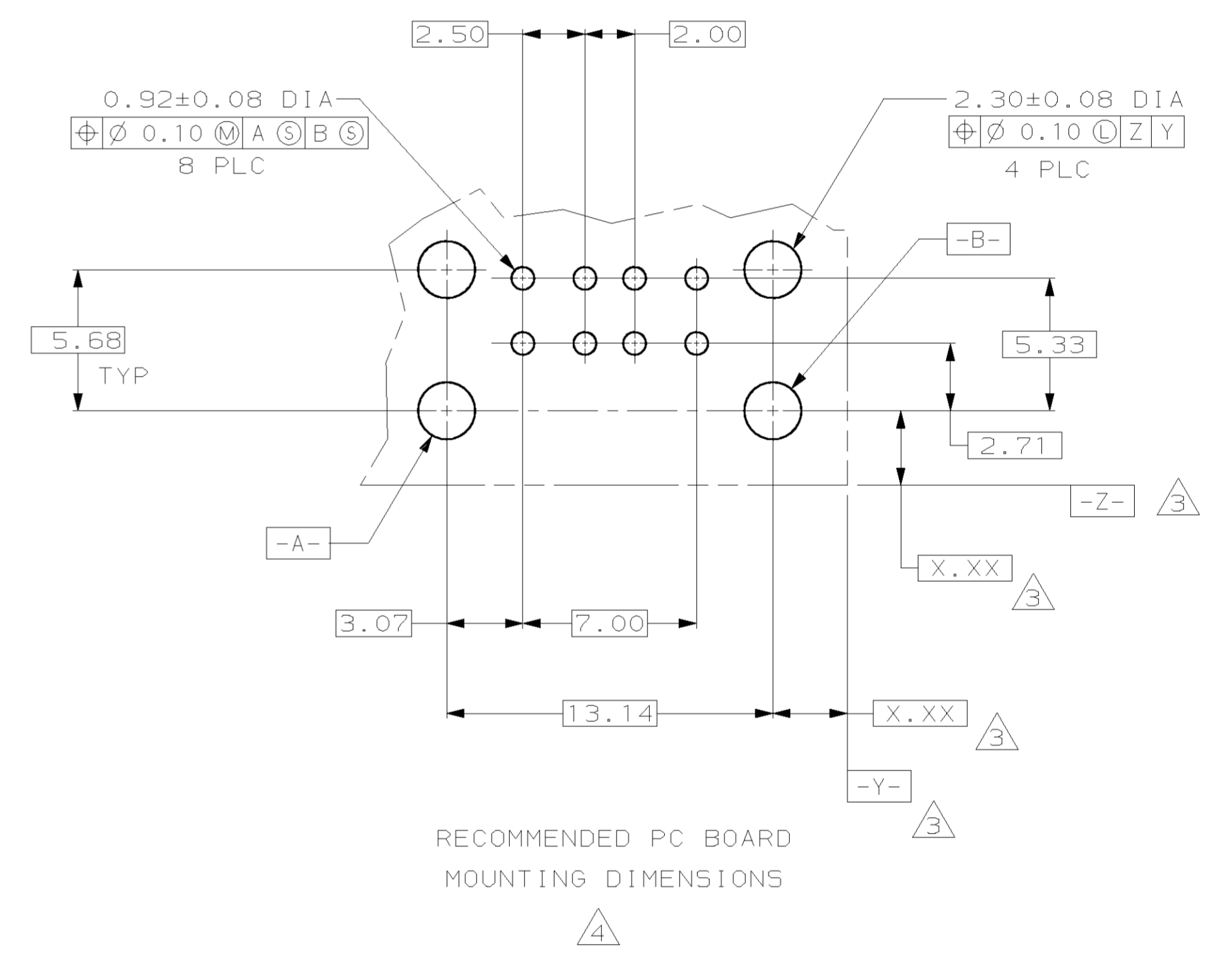
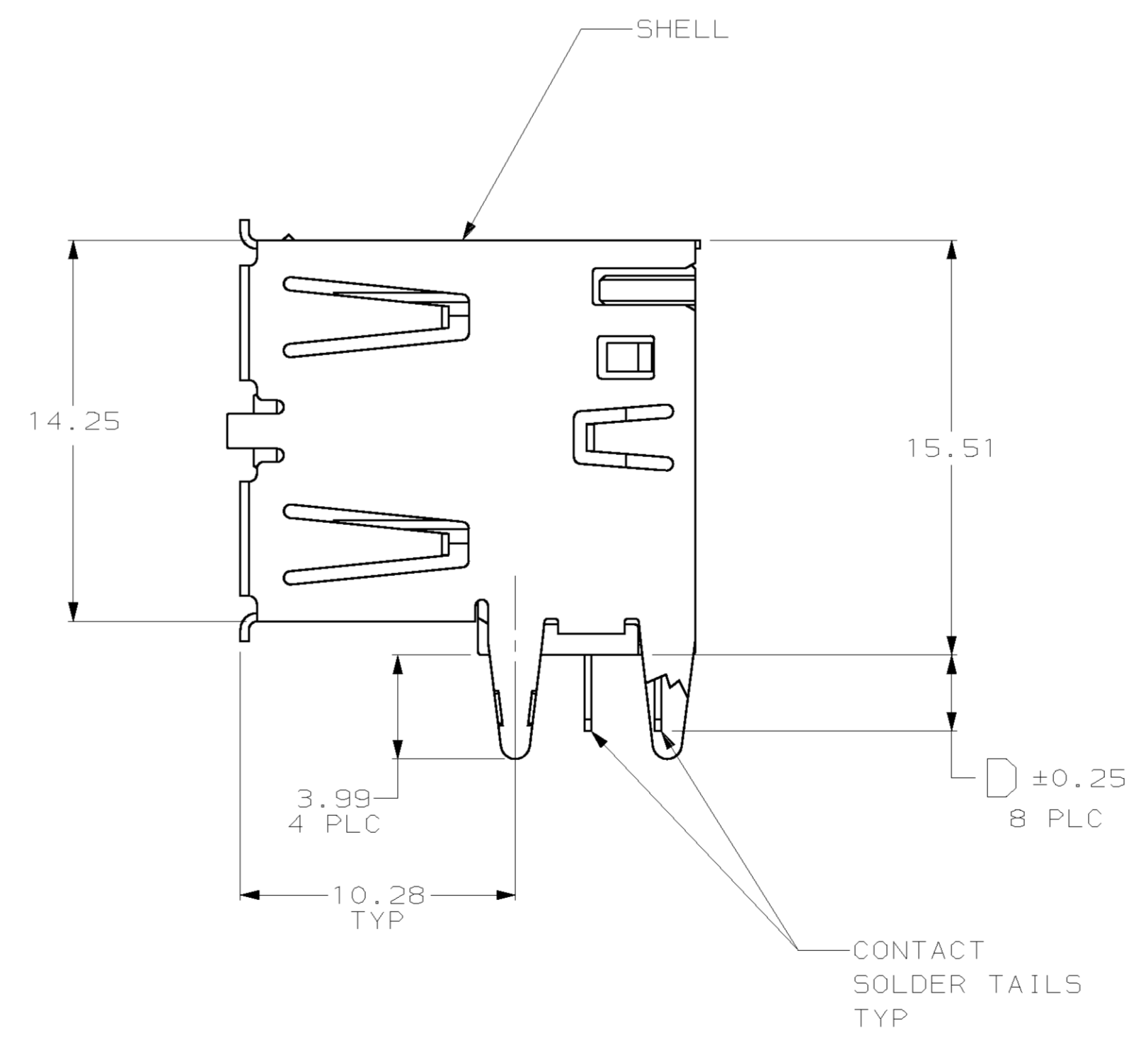
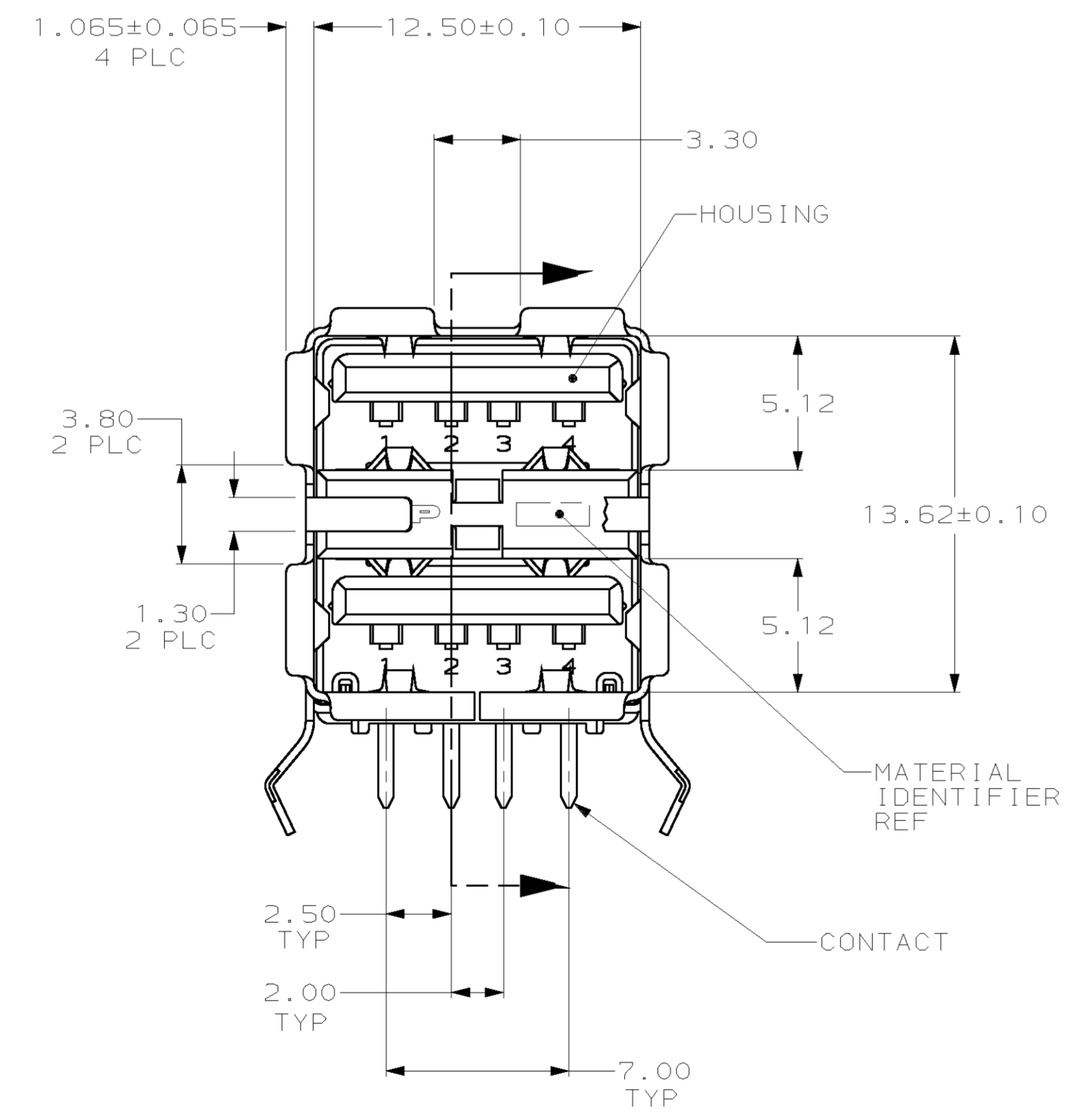


- 1 MATERIAL:  
SHELL & CONTACTS- COPPER ALLOY.  
HOUSING- UL 94V-0 RATED, THERMOPLASTIC, SEE TABLE.
- 2 PLATING:  
CONTACTS- 0.076μm MINIMUM GOLD OVER 0.76μm MINIMUM PALLADIUM-NICKEL ON MATING AREA. OR CONTACT ALTRENATE PLATING 0.76μm MINIMUM GOLD ON MATING AREA.  
3.80μm MINIMUM TIN-LEAD ON SOLDER TAILS.  
BOTH OVER 1.27μm MINIMUM NICKEL.  
SHELL: 5.10μm MINIMUM BRIGHT TIN OVER 2.50μm MINIMUM COPPER.
- 3 DATUM AND BASIC DIMENSIONS ESTABLISHED BY CUSTOMER.
- 4 RECOMMENDED PC BOARD THICKNESS OF 1.57.



OBSOLETE	YES	2.84±0.25	NATURAL	787745-6
	YES	2.29±0.25	BLACK	787745-5
	YES	2.84±0.25	BLACK	787745-4
	NO	2.84±0.25	NATURAL	787745-3
	NO	2.29±0.25	BLACK	787745-2
	NO	2.84±0.25	BLACK	787745-1
HIGH TEMPERATURE COMPATIBLE		D	HOUSING COLOR	PART NUMBER

<small>THIS DRAWING IS A CONTROLLED DOCUMENT FOR AMP INCORPORATED. IT IS SUBJECT TO CHANGE AND THE CONTROLLING ENGINEERING DEPARTMENT SHALL BE CONTACTED FOR THE LATEST REVISION.</small>		DWN <b>D. BROCKWAY</b> 10 MAY 96 CHK <b>R. STONE</b> 13 MAY 96 APP'D <b>R. WALTER</b> 14 MAY 96	<b>AMP</b> AMP Incorporated Harrisburg, PA 17105-3608
DIMENSIONS: mm TOLERANCES UNLESS OTHERWISE SPECIFIED: 0 PLC ±- 1 PLC ±- 2 PLC ±0.13 3 PLC ±- 4 PLC ±- ANGLES ±-		PRODUCT SPEC <b>108-1586</b> APPLICATION SPEC <b>114-40054</b>	RECEPTACLE ASSEMBLY, RIGHT ANGLE, STACKED, THRU-HOLE, USB
MATERIAL 1 FINISH 2		WEIGHT - CUSTOMER DRAWING	SIZE A1 CAGE CODE 00779 DRAWING NO. C-787745 SCALE 5:1 SHEET 1 OF 1 REV K